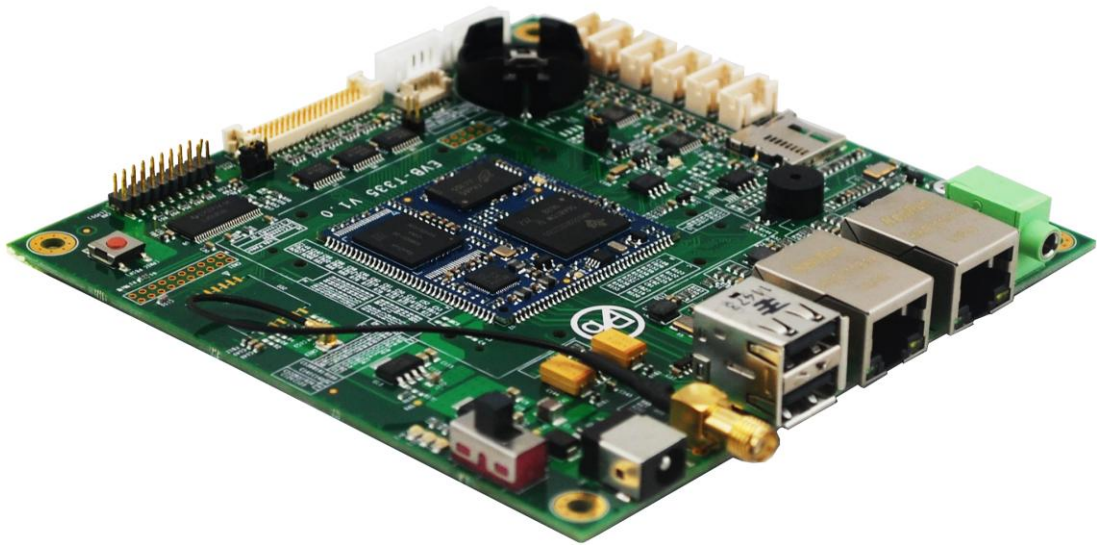


AM335X Single Board Computer

Eac-T335



Embedall Inc

www.embedall.com

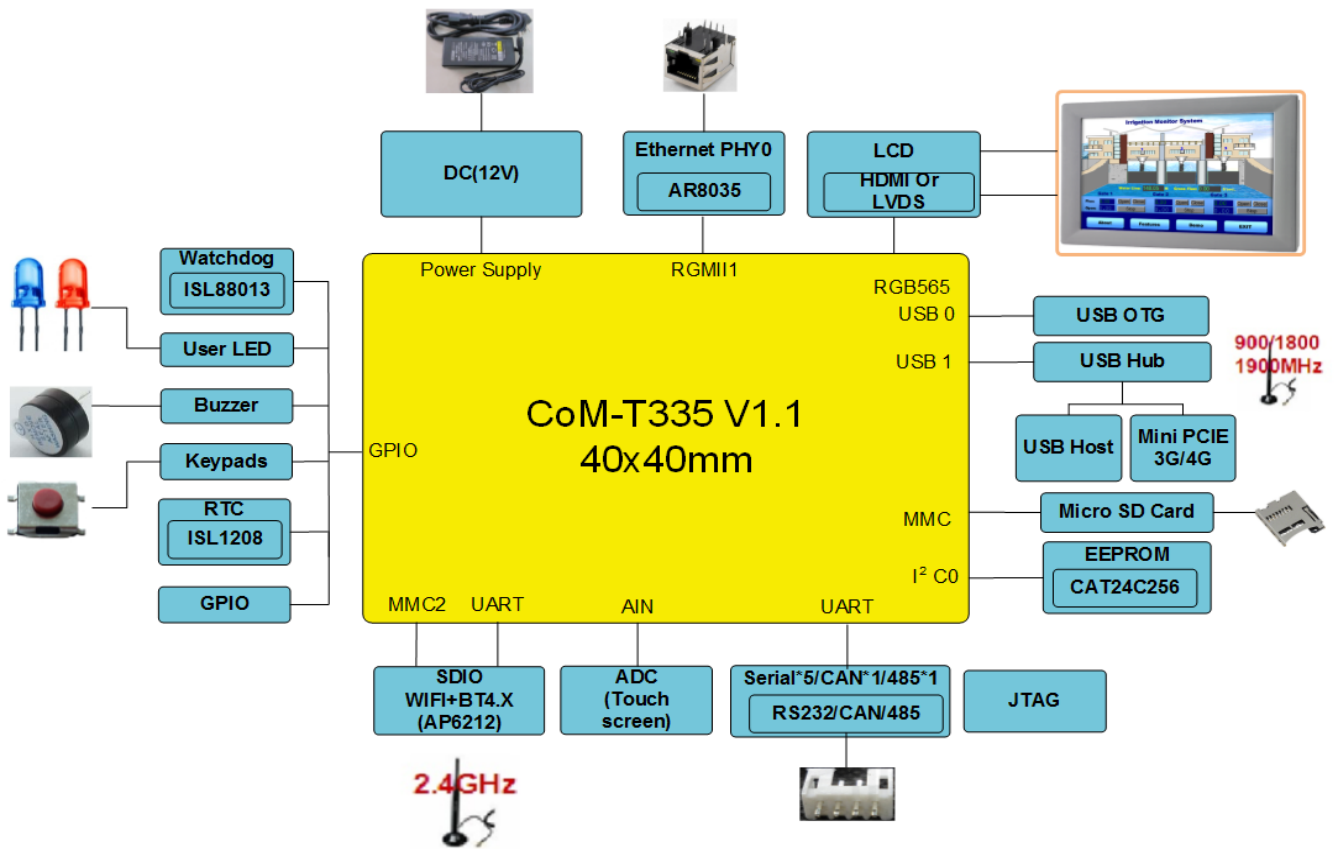
address: Room 601, building E, yuantong road, longhua road, longhua, shenzhen

email: info@embedall.com fax: 0086-755-82523090

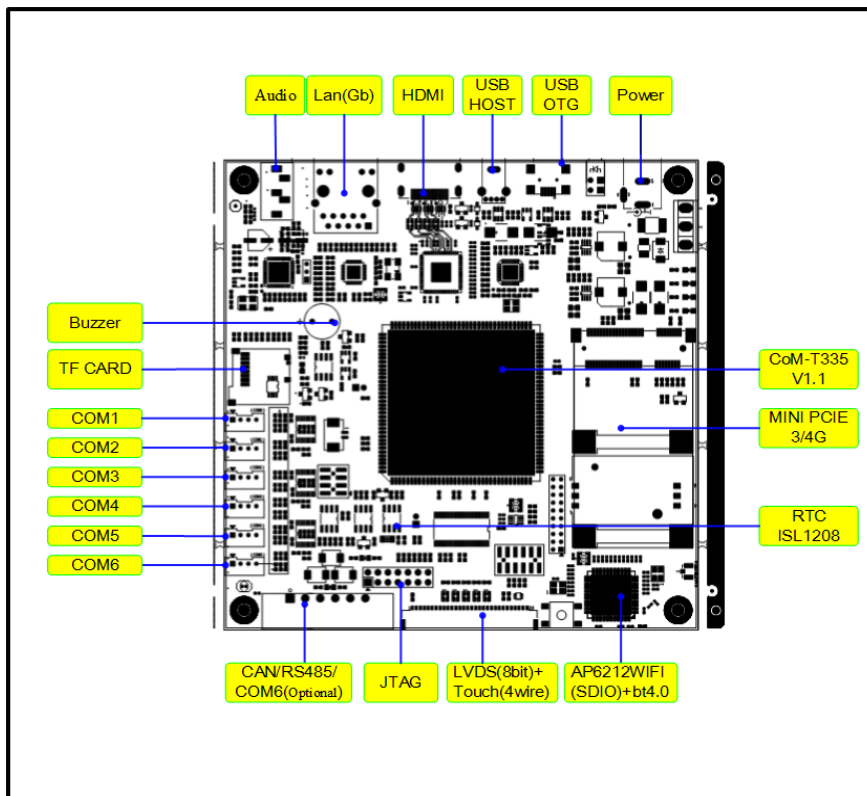
tel: 0086-755-82523090

Features

- Cortex-A8,TI AM335X,1GHz(MAX) Processor,NEON™ AM3352/800MHZ assembled by default
- 128M-512M DDR3 SDRAM(MAX 1G)
- 128-1GMB SLC Nand or 2G-32G optional EMMC
- Gigabit Ethernet(IEEE1588 is not supported)
- Double High Speed USB HOST
- 6 USARTs(MAX) Inside the CPU
- Power Requirement +12V DC input
- Maximum 1366*768 LCD XGA within SGX530 3D Graphics Engine, 24 bit LVDS interface is supported
- **JTAG** interface (V1.1 version hardware, 4-wire resistance touch screen) is introduced to facilitate the debugging of the system.
- EMMC launch compatibility with BeagleboneBlack
- support HDMI(1.4) ,LVDS(8-bit)up to 1336x768.
- 6 serial ports, including CAN/RS485/com6 optional
- support resistance(ADC)/capacitor(I2C) screen.
- On board RTC with DS1339,IS1208 optional. DS1339 is used by default
- support **mini-PCIE** slot-(USB for 3G/4G card) with standard SIM
- support AP6212 and SDIO WIFI(150MBPS)
- OS Linux3.14 pre-installed(support for DTB), WINCE 7.0 for customized



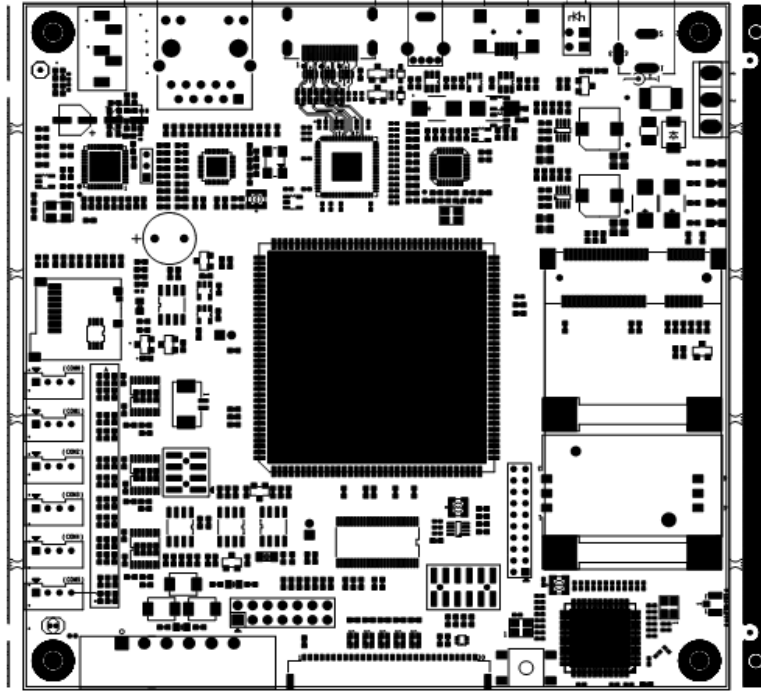
Function diagram



Product Specification

	FUNCTION	Eac-T335
Parameter	MCU	TI Am3352/4, Cortex-A8, 800MHZ/1GHZ
	RAM	256/512MB DDR3
	Flash	SLC NAND 256/512M/1G BYTES(Customized EMMC boot)
	RTC	ISL1208
	Watchdog	Yes
	Power Manage	TPS65217C (battery power is available for mobile application)
	Reset	Hot and cold reset available (by register immediately)
I/O	UART	6 serial ports, including CAN/RS485/com6 optional
	Ethernet	100/1000Mbps*1
	USB 2.0 Host	1*USB HOST 1*USB OTG ,High-speed
	SD/MMC	4-wires*1
	Touch screen	4-wires are available
	Bus	GPMC bus is not supported. If GPMC bus is needed, please select the type com-335x.
	IIC	3
	SPI	2
	GPIO	6* Multiple 3.3V LVTTL
	MCASP	TLV320AIC3106(Audio Solution)
Network		
	WIFI	Support AP6212 SDIO WIFI
Multimedia	Graphic Chip	2D/3D graphic engine supported just for AM3354/9
	Resolution	1366×768(MAX)
	HDMI	HDMI 1.4 Version
	LVDS	8-bit LVDS screen is available
Debug	JTAG	14pin-JTAG
power	Power input	5.0 V (+-5%)
	Power Consumption	1A(MAX)
Mechanical & Environment	Size	120MM*120MM
	Operating Temperature	0 ~ 70° C (-40 ~ 85° C Can be customized)
	Operating Humidity	5 ~ 95 % , non-condensing
Other	RoHS	YES
	Certifications	CE
	Software Support	Linux 3.14 (DTB) (WCE7.0 or Android by Customizing for Project)

Size (120x 120) mm



OS Software



Ordering information

Part No.	CPU	RAM	Flash Memory	UART	LAN	USB Host	LCD	LVDS	video decoder	Touch	SD	IIC	EBI BUS	Power Input
EAC-335X-B1	800M	512M	512M	6	2	2	16-bit	24-bit	3D	yes	1	1	NO	5.0v
EAC-335X-B2	800M	512M	2G EMMC	6	2	2	16-bit	24-bit	3D	yes	1	1	NO	5.0v

www.embedall.com

address: Room 601, building E, quantong road, longhua road, longhua, shenzhen

email: info@embedall.com fax: 0086-755-82523090

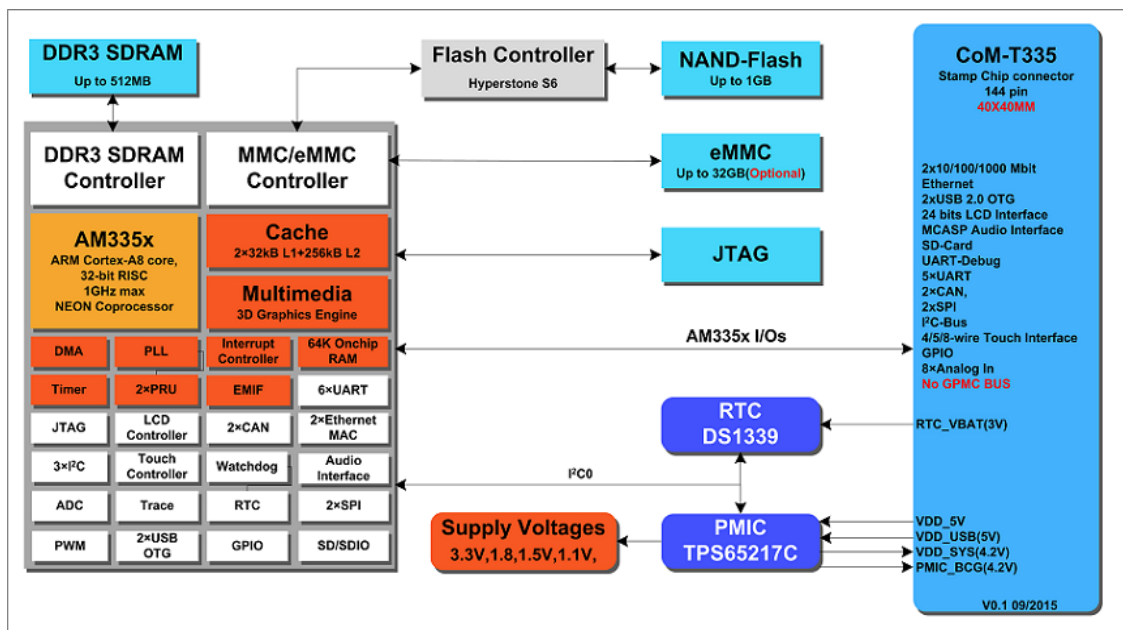
tel: 0086-755-82523090

Highlights of CoM-T335:

The first Cortex-A8 stamp chips module of AM335X, Unique Design, Low cost, excellent reliability

- ◆ Cortex-A8, TI AM335X, 1GHz(MAX) Processor, NEON™;
- ◆ Single 256Mb/512Mb DDR3 SDRAM, low cost;
- ◆ 1GMB SLC Nand or 2G-32G optional EMMC(boot)
- ◆ Large capacity plate carrier electronic disk, more user space;
- ◆ stamp chips core board design, Ultra-small size 40mm*40mm, lower cost for bulk purchasing;
- ◆ 1*1000M Ethernet interface
- ◆ On board standalone RTC DS1339, providing accurate clock;
- ◆ The most excellent display performance, resolution up to 1366*768;
- ◆ 6 internal RS232 UARTs of CPU;
- ◆ External extended 3*IIC, 2*SPI interface;
- ◆ The built-in two-channel CAN BUS.
- ◆ SD card connector, supporting more memory
- ◆ TWO High-speed USB 2.0 OTG;
- ◆ JTAG interface (V1.1 version hardware, 4-wire resistance touch screen) is introduced to facilitate the debugging of the system.
- ◆ EMMC launch compatibility with BeagleboneBlack
- ◆ Professional WINCE 7.0、 LINUX 3.14(DTB)、 ANDROID
- ◆ Highly Integrated for immediate application, customized main board is available;

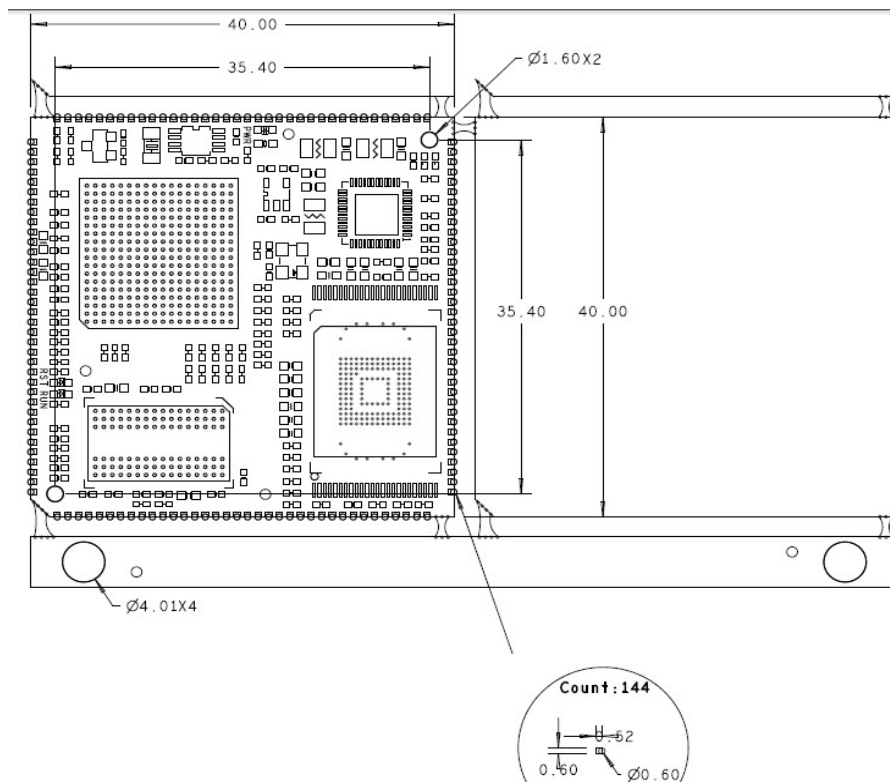
Block diagram of CoM-T335:



Real product of CoM-T335:



Size(mm):





Application :

Application Fields



- Education controller
- Board computer



- Portable terminal
- GPS
- PSP

- Automation
- Medical Equipment
- Pos printer

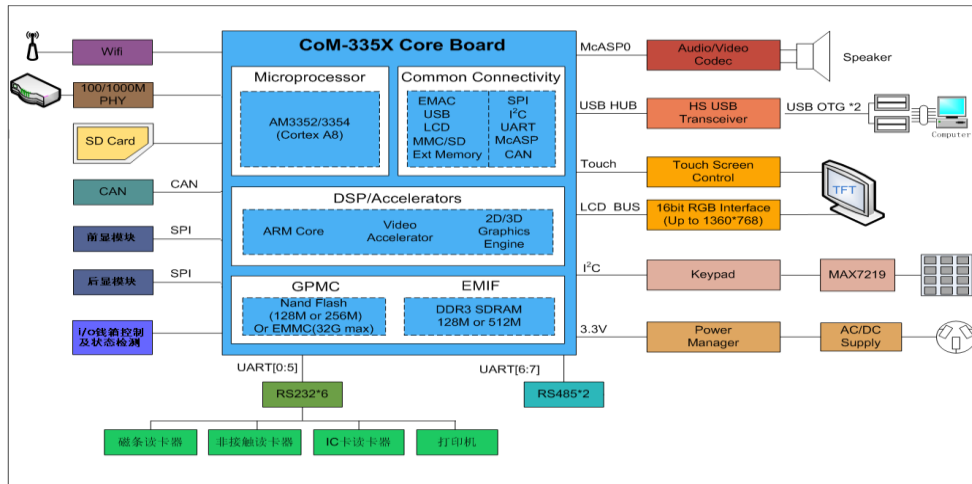


- IFCMS
- Measurement
- Top Toy

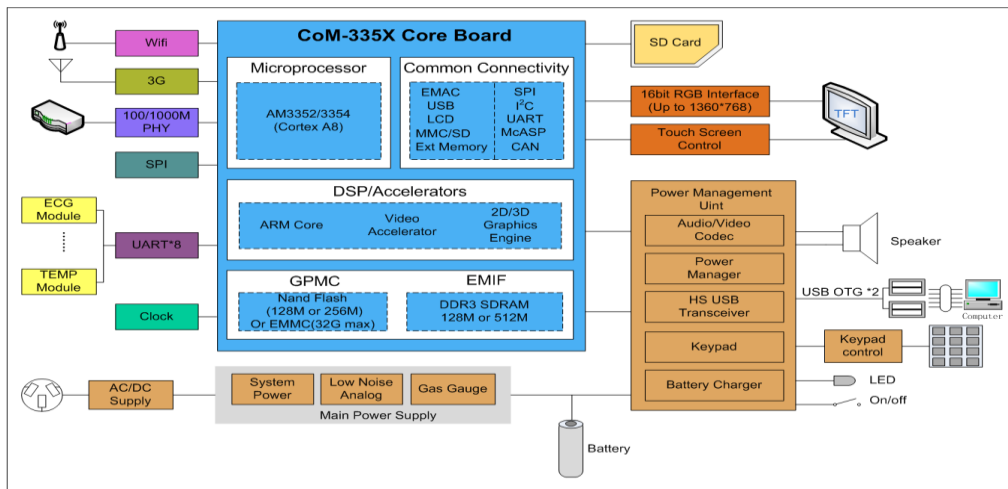


Application Example:

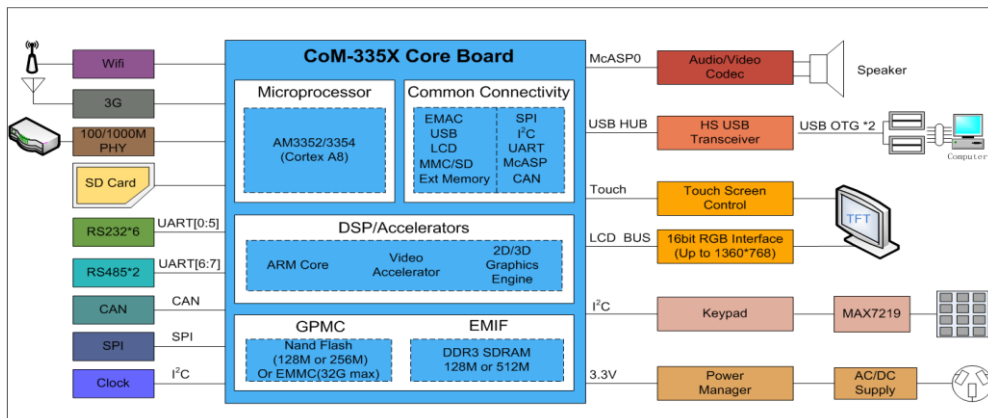
1.POS equipment



2. Medical monitor



3. HMI



About Embedall Inc

EMBEDALL Inc, founded in 2004, is a focus on embedded ARM product development and services of high-tech companies.

Address: Room 601, building E, yuantong road, longhua road, longhua, shenzhen

Email: info@embedall.com

Tel: 0086-755-82523090

Fax :0086-755-82523090

Zip Code: 518033

Web site: www.embedall.com